

ILLUSTRATED PARTS BREAKDOWN

PDP-11S60 16 BIT COMPUTER

HOW TO USE THE IPB

GENERAL

This IPB is compiled following the organization and nomenclature of the engineering drawing structure.

MAJOR ASSEMBLY LOCATOR

The Major Assembly Locator (first illustration) is an index that provides a description and a figure reference for all illustrations used in this manual.

INDENTED PARTS LIST

This manual identifies each assembly being broken down (figure reference callout), and all parts of that assembly. Further breakdown of an assembly is shown by an asterisk (*) preceding the item callouts in the Description Column. The number of asterisks preceding an item is used to denote the subordination of that item with respect to the Major Assembly. A single asterisk preceding an item description indicates that the item is part of the major assembly being illustrated. Items that are subordinate to single asterisk items, are denoted by two asterisks (**) and immediately follow the related single asterisk item. Additional asterisks are used, as required, to denote further subordination. This system of part identification, provides a means for the user to identify the next higher assembly item and make alternate selections for parts when the required replacement part or assembly is not immediately available.

COLUMN CALLOUT DESCRIPTION

Figure & Item - Indicates the figure number and item number of each part.

Description - Lists the name of the part and pertinent specifications (when required). Asterisks preceding the description denote the subordination of the part to the next higher assembly.

DEC Part No. - Lists the DEC part ordering number. A blank in this column indicates a DEC part number was not assigned at the time of publication.

ECO Cut-In - The notation at the top of this column indicates the ECO level of the system (option), at which the IPB was initially prepared. Subsequent ECO level designations, that modify existing parts or add new parts to the device, are inserted in the ECO Cut-In column next to the part that is added or modified. A bracket ([]) preceding the item description is used to indicate the parts affected by ECO's.

Vendor Code/Part No. - Indicates vendor parts that are not stocked by DEC. Refer to the Field Service Spares Catalog (vendor part number to DEC part number) for the vendor code cross-reference.

Used On Code - Letters in this column correspond to the variation codes assigned in Figure 1. Parts with an Alpha notation(s) are used only in those option variations. A blank indicates that the part is used on all option variations.

Ref Fig No. - A cross reference between illustrations. For each Major Assembly, the number in this column denotes the figure of the next higher assembly. For all subassemblies, the number in this column denotes the figure showing additional detailed breakdown.

SYMBOL USAGE

Hardware Designators - Alpha designators for screws (S), washers (W), nuts (N), and retaining rings (R) are inserted after the item number callouts on the illustration when stacked item numbers are used.

Attaching Hardware - The @ symbol is inserted before any part that is used as attaching hardware. Attaching hardware is denoted as those parts that are not an integral part of the referenced assembly.

(NFR) Not Field Repairable - The (NFR) symbol is inserted after any assembly that is not to be field dismantled.

Other Symbols - Any other symbols that are required for kits, accessories, etc., will be explained and appear as part of the item description.

REVISION HISTORY

PRINTING	ECO LEVEL	DATE	PAGES AFFECTED
2nd Printing	11S60 0001A-0004B 70-11587 00000-00006 H9504-R 00002-00002	1-29-82	N/A

OTHER IPB MANUALS REQUIRED TO SUPPORT THIS OPTION

EK-RK611-IP	EK-0H754-IP
EK-0H775-IP	EK-1160W-IP
EK-0RK06-IP	EK-0LA36-IP
EK-0H767-IP	EK-0LK02-IP
EK-866DE-IP	EK-LK001-IP
EK-KY11P-IP	EK-0LK03-IP
EK-1160K-IP	EK-LK03A-IP
EK-BA11P-IP	EK-LA120-IP
EK-H9280-IP	EK-H7110-IP
EK-H7420-IP	EK-H7150-IP
	EK-1160M-IP

This 2nd Printing EK-11S60-IP-002
SUPERSEDES 1st Printing EK-11S60-IP-001

Copyright © 1978, 1982 by Digital Equipment Corporation.
All rights reserved.

DEC reserves the right, without notice, to make substitutions and modifications in the specifications of products documented in this manual and further reserves the right to withdraw any of these products from the market without notice.

DEC is not responsible for errors which may appear in the technical description (including illustrations and photographs) of the products covered by this manual.

None of the descriptions contained in this manual imply the granting of any license whatsoever to make, use or sell equipment constructed in accordance therewith.

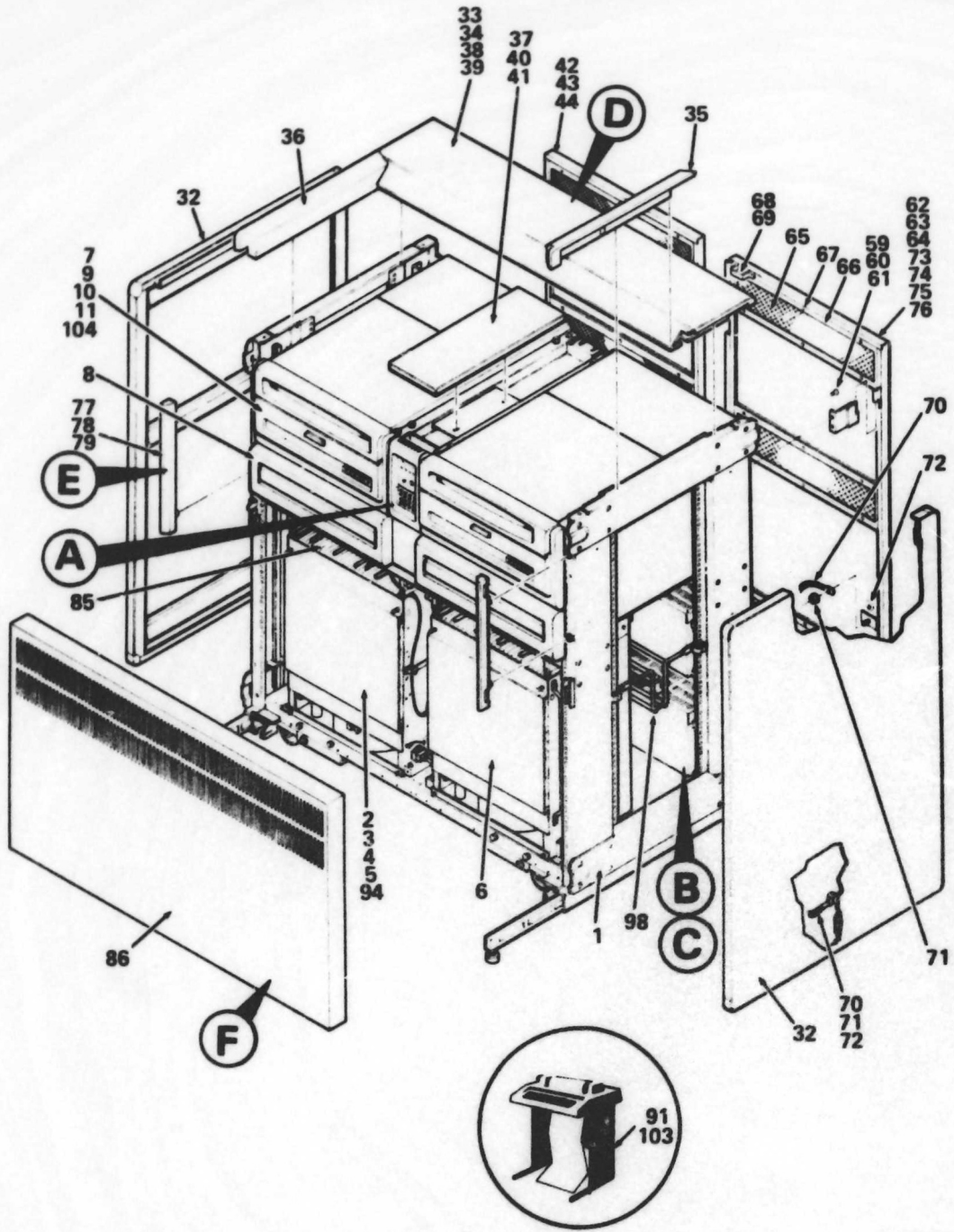
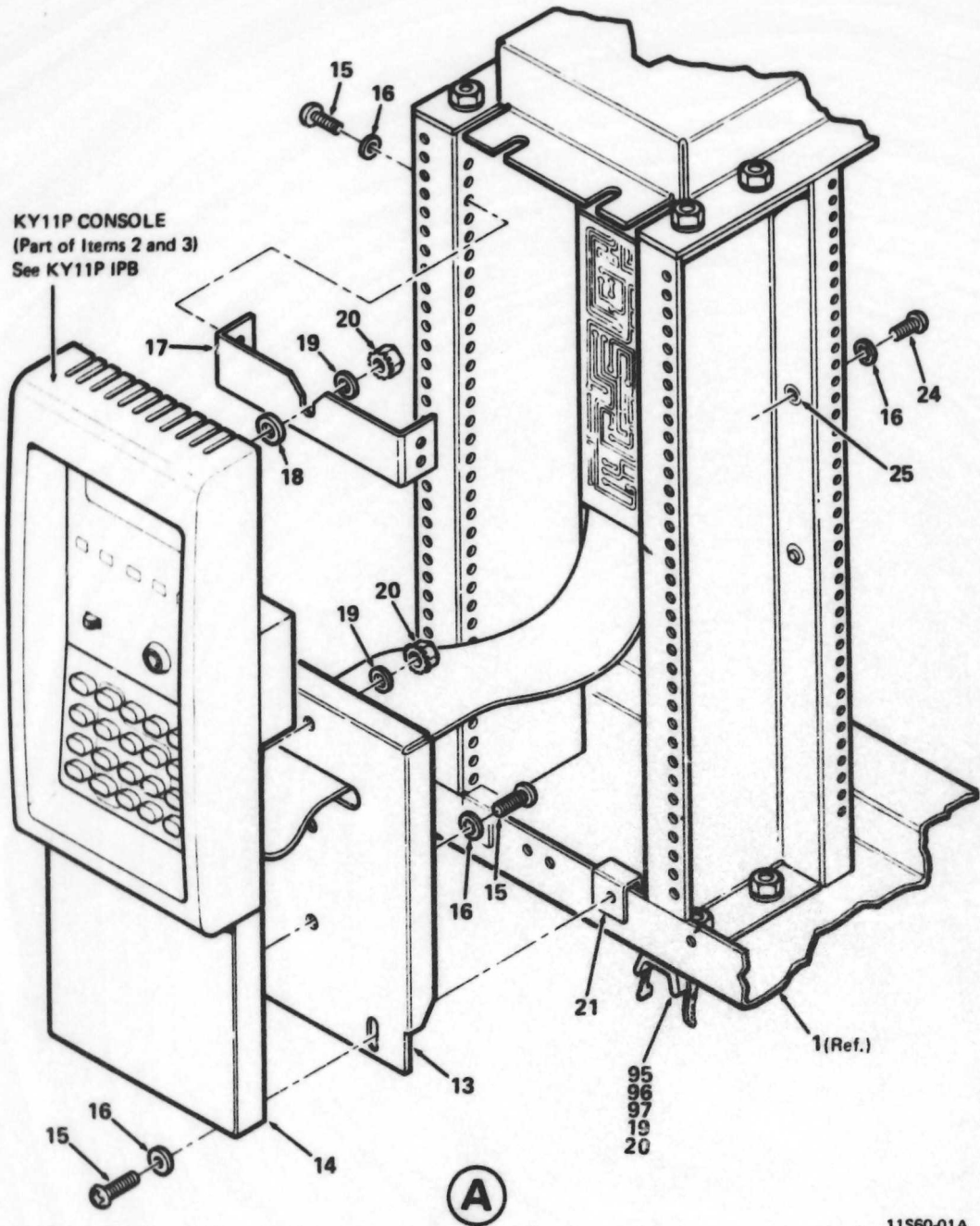


Figure 1. PDP 11S60 Unit Assembly (Sheet 1 of 7)

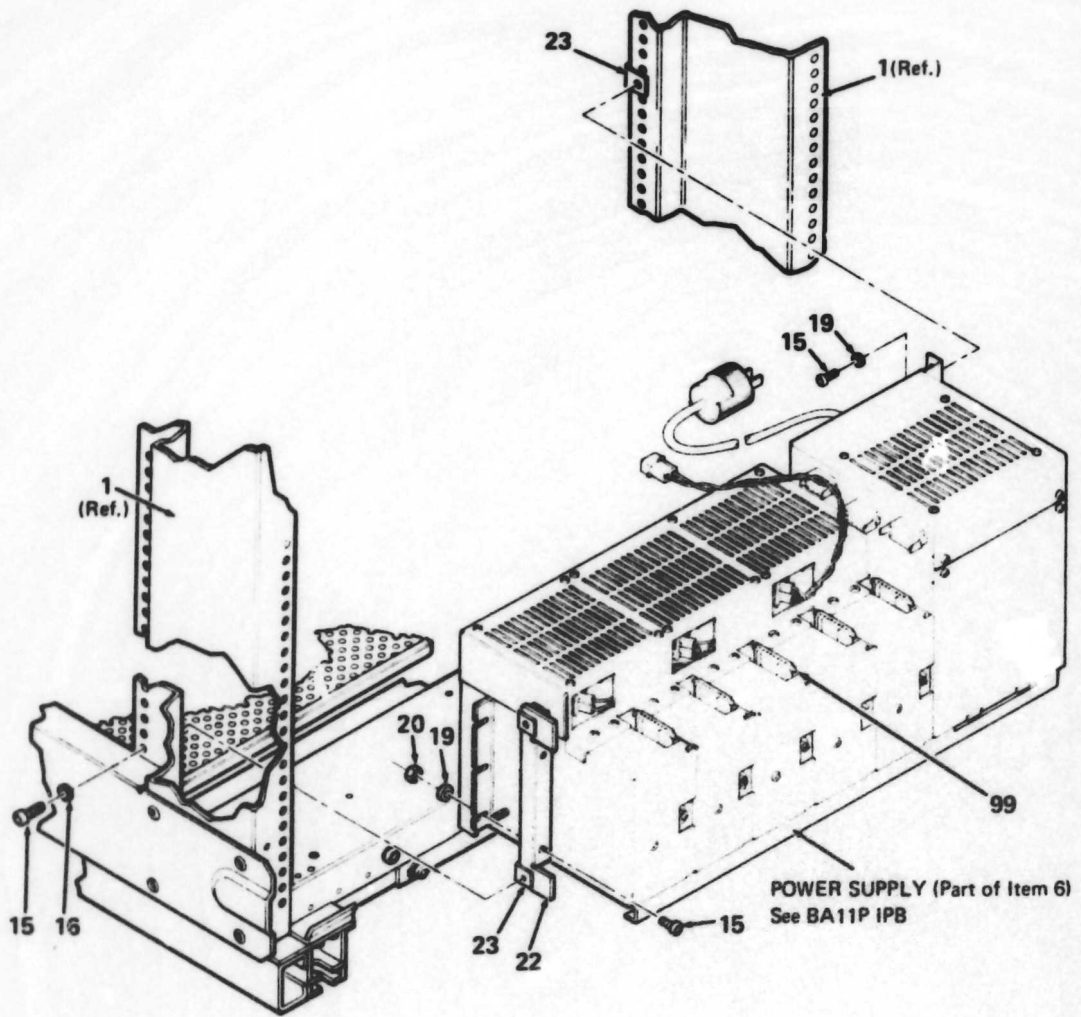
11S60-01





11S60-01A

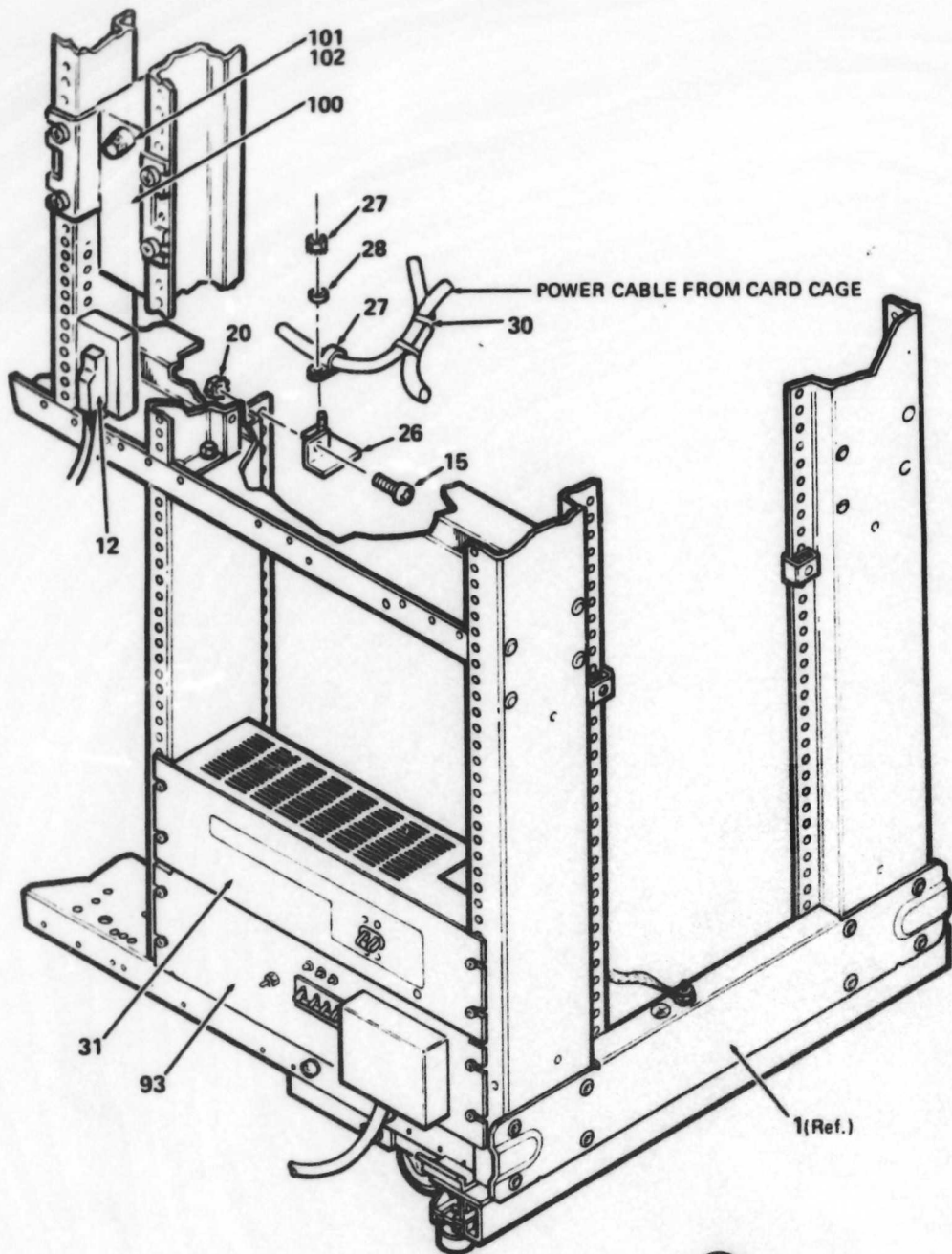
Figure 1. PDP 11S60 Unit Assembly (Sheet 2 of 7)



B

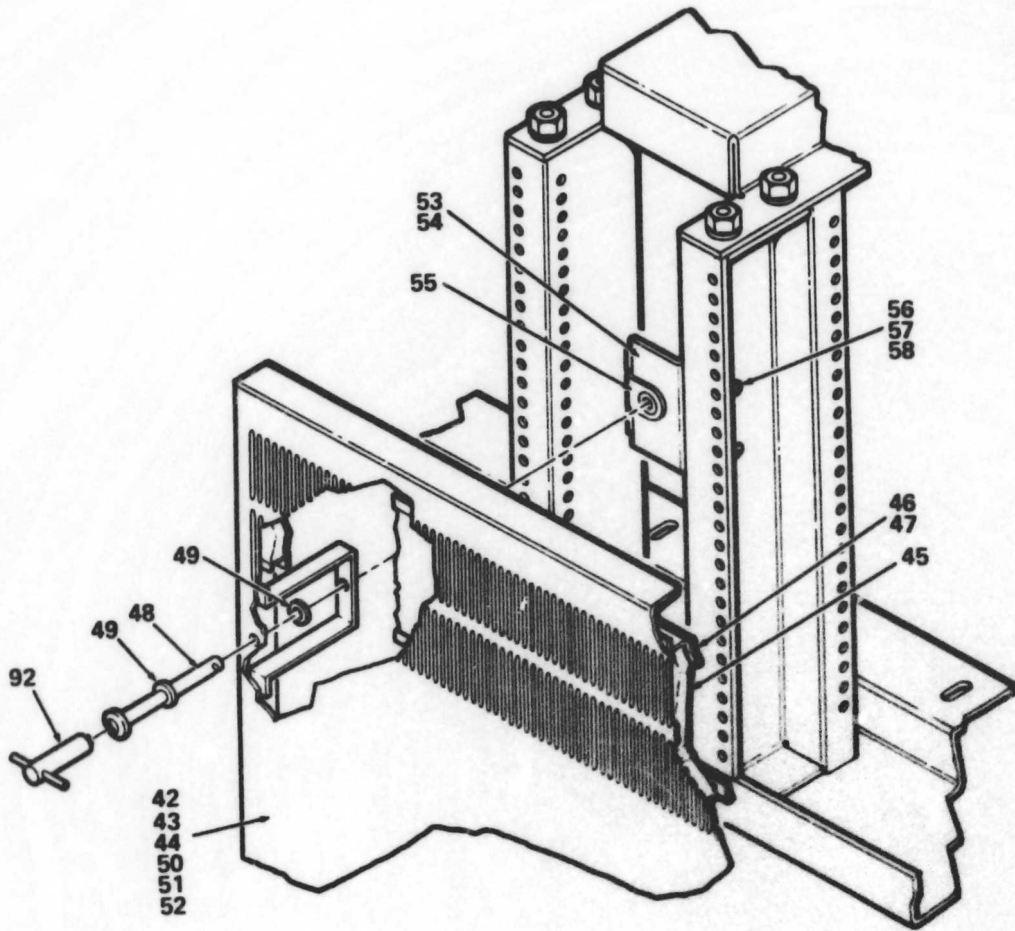
11S60-01B

Figure 1. PDP 11S60 Unit Assembly (Sheet 3 of 7)



11S60-01C

Figure 1. PDP 11S60 Unit Assembly (Sheet 4 of 7)

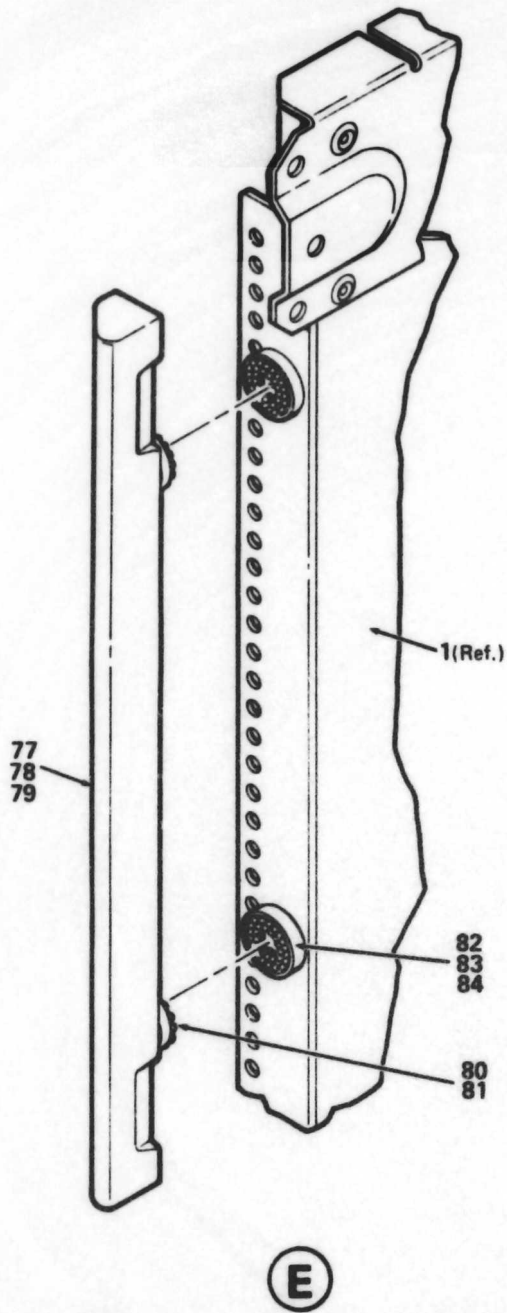


(D)

11S60-01D

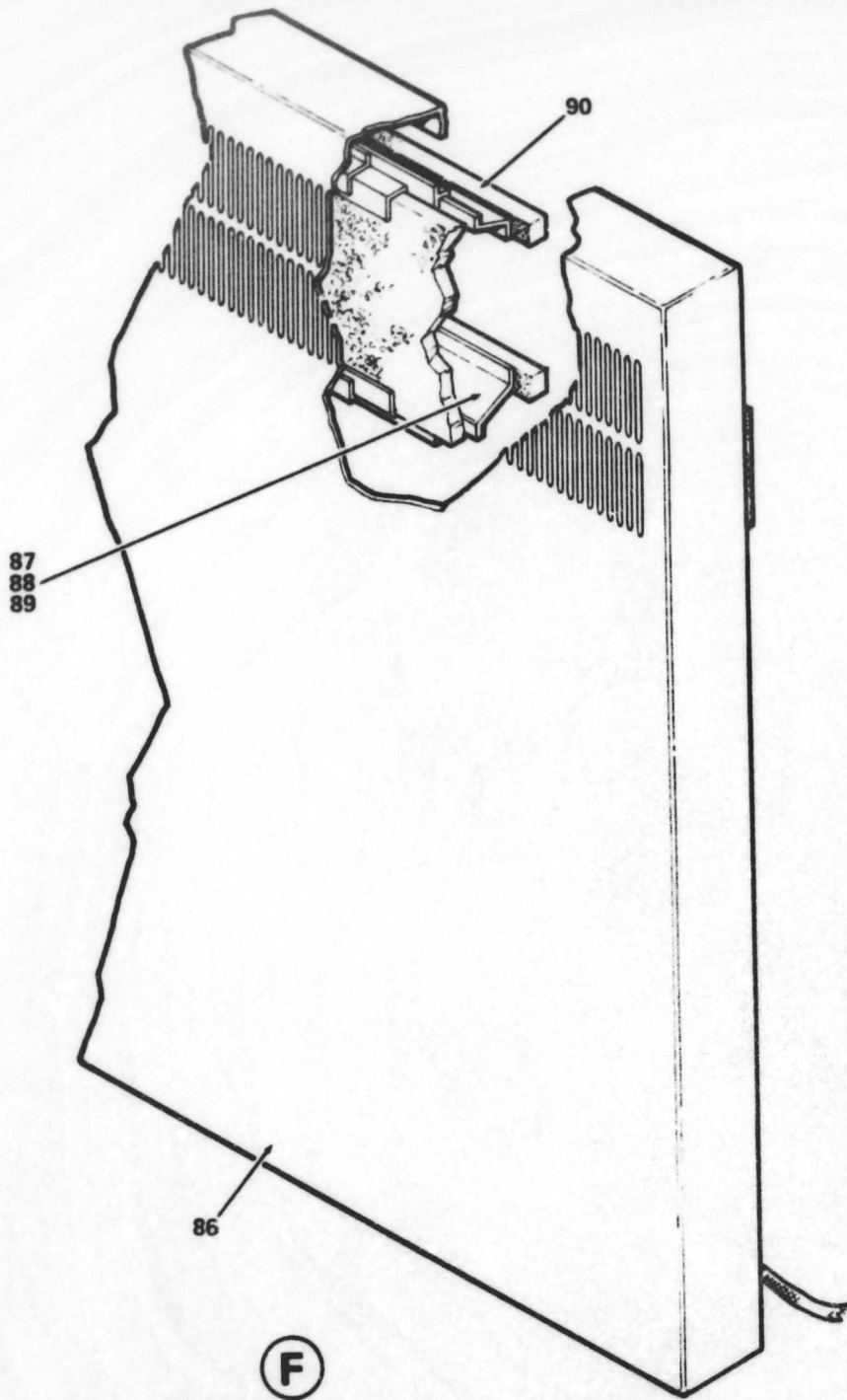
Figure 1. PDP 11S60 Unit Assembly (Sheet 5 of 7)





11S60-01E

Figure 1. PDP 11S60 Unit Assembly (Sheet 6 of 7)



11S60-01F

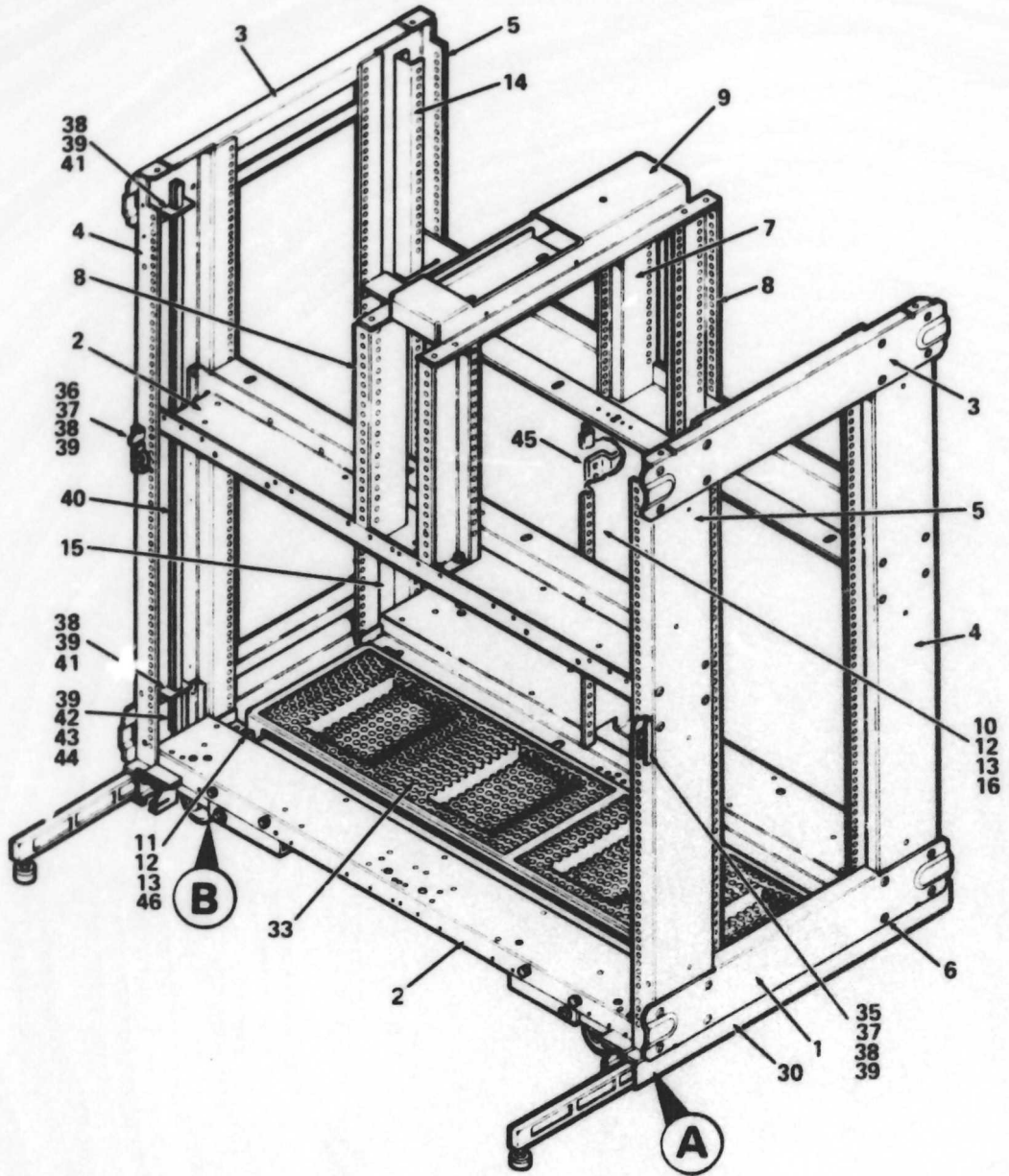
Figure 1. PDP 11S60 Unit Assembly (Sheet 7 of 7)

FIG. & ITEM NO.	DESCRIPTION	DEC PART NO.	ECO CUT-IN 11S60 0001A	USED ON CODE	REF FIG NO.
1-	PDP 11S60 UNIT ASSEMBLY				
	Code A - Used on Model 11S60-BA 60 Hz 120V	11S60-BA		A	
	Code B - Used on Model 11S60-BB 60 Hz 240V	11S60-BB		B	
	Code C - Used on Model 11S60-BC 50 Hz 120V	11S60-BC		C	
	Code D - Used on Model 11S60-BD 50 Hz 240V	11S60-BD		D	
	Code E - Used on Model 11S60-CA 60 Hz 120V MOS	11S60-CA		E	
	Code F - Used on Model 11S60-CB 60 Hz 240V MOS	11S60-CB		F	
	Code G - Used on Model 11S60-CC 50 Hz 120V MOS	11S60-CC		G	
	Code H - Used on Model 11S60-CD 50 Hz 240V MOS	11S60-CD		H	
	Code J - Used on Model 11S60-FA 60 Hz 120V MOS (added)	11S60-FA	00004	J	
	Code K - Used on Model 11S60-FB 50 Hz 240V MOS (added)	11S60-FB	00004	K	
1	*FRAME ASSEMBLY (Double LoBoy)	70-11587-02			2
2	*1160W UNIT ASSEMBLY 120V See 1160W IPB Manual	1160W-AA		AC	
	*1160W UNIT ASSEMBLY 240V	1160W-AB		BD	
3	*1160K UNIT ASSEMBLY 120V (MOS) See 1160K IPB	1160K-AA		EG	
	*1160K UNIT ASSEMBLY 240V (MOS)	1160K-AB		FH	
4	*Memory	MM11-WP		ABCDJK	
5	*MOS Array Card (32 x 16)	MS11-KA		EFGH	
6	*BA11P EXPANDER BOX ASSEMBLY 120V See BA11P IPB	BA11-PE		ACEG	
	*BA11P EXPANDER BOX ASSEMBLY 240V	BA11-PF		BDFH	
7	*RK06 UNIT ASSEMBLY 60 Hz 120V	RK06-AA		AE	
	*RK06 UNIT ASSEMBLY 60 Hz 240V See RK06 IPB	RK06-AB		BF	
	*RK06 UNIT ASSEMBLY 50 Hz 120V	RK06-AC		CG	
	*RK06 UNIT ASSEMBLY 50 Hz 240V	RK06-AD		DH	
8	*Lower Bezel Assembly (deleted)	70-11184-00			
	*Lower Bezel Assembly (added)	12-14513-00	00004		
9	*Screw, Hex Hd No. 1/4-20 x 3/4	90-06243-09			
10	*Washer, Helical Spring Lock	90-07797-00			
11	*Washer, Flat .28 ID	90-07792-00			
12	*RK06 CONTROLLER ASSEMBLY See RK611 IPB Manual	RK611-00			
13	*Plate, Console Mounting	74-19056-00			
14	*Panel, Vertical Blank (5-1/4")	74-15771-07			
15	*Screw, Phi Truss Hd No. 10-32 x 1/2 (deleted)	90-06073-03			
	*Screw, Sems Phi Truss Hd No. 10-32 x 1/2 (added)	90-09700-00	00003		
16	*Washer, Int Tooth Lock No. 10 (deleted)	90-06635-00	00003		
17	*Bracket, Console Mounting	74-19055-00			
18	*Spacer, 5/16 OD x .194 ID x 1/8	90-09922-00			
19	*Washer, Flat .437 OD x .21 ID x 1/16	90-06664-00			
20	*Nut, Kep No. 10-32	90-06565-00			
21	*Nut-Clip, Floating No. 10-32	90-09923-00			
22	*Bracket, Power Supply Mounting	74-15640-00			

FIG. & ITEM NO.	DESCRIPTION	DEC PART NO.	ECO CUT-IN 11S60 0001A	USED ON CODE	REF FIG NO.
1-					
23	*Retainer, "U" Nut No. 10-32	90-07786-00			
24	*Screw, Phi Truss Hd No. 10-32 x 1/4 (deleted)	90-09248-03	00003		
25	*Insert, Snap-In	90-09789-01			
26	*Bracket, Power Cable	74-17519-00			
27	*Clamp, Cable	90-07091-00			
28	*Washer, Flat .437 OD x .187 ID x .03 (deleted)	90-06661-00	00003		
29	*Nut, Kep No. 8-32	90-06563-00			
30	*Tubing, Black Zipper (Deleted from this Assy. part of Harness Assy.)	90-07730-00			
31	*BATTERY BACK-UP ASSEMBLY 120V See H775 IPB	H775-BA		EGJ	
	*BATTERY BACK-UP ASSEMBLY 240V	H775-BB		FHK	
32	*END PANEL (Double LoBoy)	H9504-DA			
33	*TOP COVER ASSEMBLY	H9514-AA			
34	**Top Cover Weldment Assembly	70-12921-00			
35	**Trim, Side LH	74-18095-00			
36	**Trim, Side RH	74-18095-01			
37	**Top Center Cover Assembly	70-12863-00			
38	**Screw, Phi Hd Bl Oxide No. 10-32 x 5/8	90-08508-01			
39	**Nut, Tinnerman No. 10-32	90-06586-00			
40	**Screw, Phi Hd No. 10-32 x 5/8	90-06071-01			
41	**Washer, Ext Tooth Lock No. 10	90-07651-00			
42	*REAR DOOR ASSEMBLY (Right Rear LoBoy)	H9504-FB			
43	**DOOR ASSEMBLY (Right Rear)	70-12213-01			
44	***Door (Weldment)	70-11781-02			
45	***Filter, Air	12-13096-00			
46	***Cover, Filter	74-15446-00			
47	***Screw, Sems Slotted Hd No. 10-32 x 3/8	90-06444-00			
48	***Stud, Spanner	12-13089-00			
49	***Grommet, Half	12-12972-03			
50	***Ground Strap	74-15578-00			
51	***Nut, Kep No. 1/4-20 Green	90-08203-01			
52	***Label, Ground	36-13272-00			
53	**SPRING RECEPTACLE ASSEMBLY	74-16224-00			
54	***Bracket, Spring Receptacle	74-15308-00			
55	***Receptacle, Spring	12-12972-02			
56	**Screw, Phi Pan Hd No. 10-32 x 1/2	90-06073-01			
57	**Washer, Flat .218 ID	90-06664-00			
58	**Nut, Hex No. 10-32 (Nylock)	90-08059-00			
59	**Screw, Phi Pan Hd No. 1/4-20 x 1/2	90-06056-01			
60	**Washer, Flat .281 ID	90-06676-00			
61	**Nut, Hex No. 1/4-20 (Nylock)	90-07897-00			
62	*REAR DOOR ASSEMBLY (Left Rear LoBoy)	H9504-JB			
63	**DOOR ASSEMBLY (Left Rear)	70-12232-01			

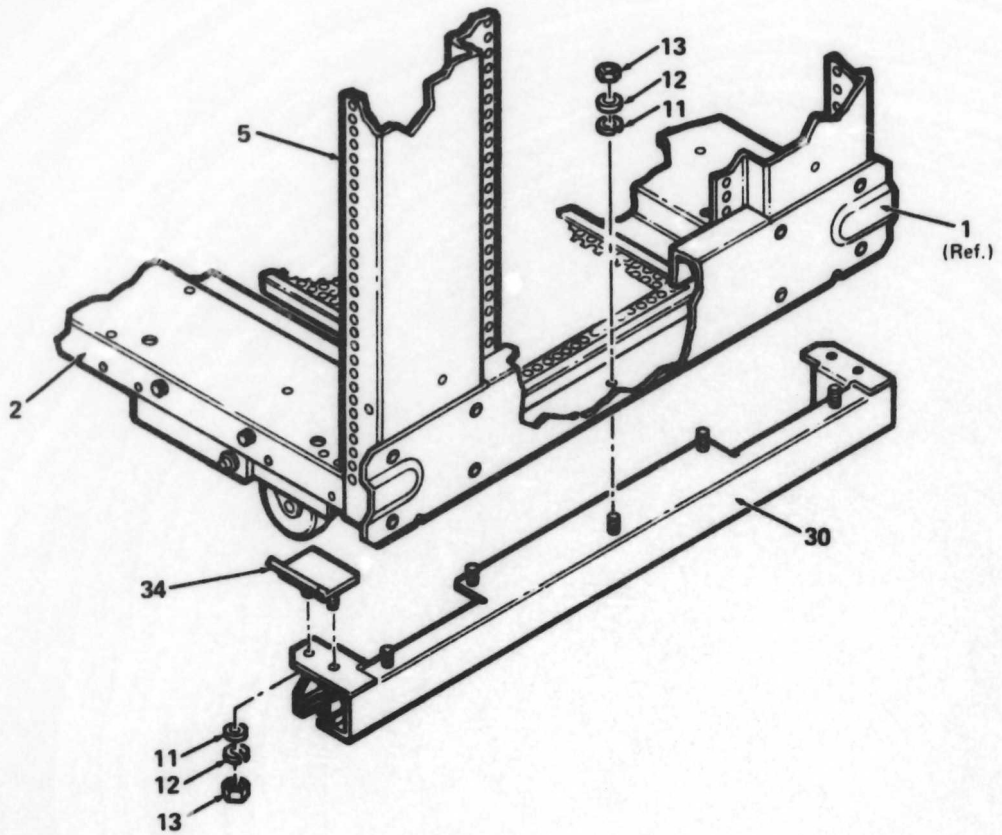
FIG. & ITEM NO.	DESCRIPTION	DEC PART NO.	ECO CUT-IN 11S60 0001A	USED ON CODE	REF FIG NO.
1-					
64	***Door (Weldment)	70-11775-01			
65	***Filter, Air	12-13096-00			
66	***Cover, Filter	74-15446-00			
67	***Screw, Sems Slotted Hd No. 10-32 x 3/8	90-06444-00			
68	***Stop, Rear Door	74-14971-00			
69	***Rivet, 3/16OD	90-09241-00			
70	***Ground Strap	74-15578-00			
71	***Nut, Kep No. 1/4-20 Green	90-08203-01			
72	***Ground Label	36-13272-00			
73	**Bracket, Door Stop	74-18361-00			
74	**Screw, Phi Pan Hd No. 1/4-20 x 1/2	90-06056-01			
75	**Washer, Flat .281 ID	90-06676-00			
76	**Nut, Hex No. 1/4-20 (Nylock)	90-07897-00			
77	*TRIM STRIP ASSEMBLY (LoBoy)	H9504-YB			
78	*TRIM STRIP ASSEMBLY (LoBoy)	70-11638-01			
79	***Trim Strip	12-12964-01			
80	***Fastener, Hedlock .75 Dia.	90-09712-00			
81	***Screw, Self-Tapping No. 6-32	90-08181-01			
82	**Fastener, Hedlock .75 Dia.	90-09712-00			
83	**Screw, Phi Pan Hd Machine No. 6-32	90-06023-01			
84	**Insert, Snap-In No. 10-32	90-09789-01			
85	*Air Deflector	12-13314-00			
86	*FRONT COVER ASSEMBLY (Lt. Gray) (added)	H9504-RA	00002		3
	*FRONT COVER ASSEMBLY (Blue Mullen) (added)	H9504-RB	00002		3
	*FRONT COVER ASSEMBLY (Blue Mullen w/Silk Screen) (added)	H9504-RC	00002		3
	*FRONT COVER ASSEMBLY (Blue Mullen w/Silk Screen System 48) (added)	H9504-RD	00002		3
	*FRONT COVER ASSEMBLY (Prefer Red) (added)	H9504-RE	00002		3
	*FRONT COVER ASSEMBLY (Prefer Red w/Silk Screen)	H9504-RF			3
	*FRONT COVER ASSEMBLY (Dark Gray) (added)	H9504-RG	00002		3
87	* AIR DUCT ASSEMBLY	H9514-CA			
88	**AIR DUCT ASSEMBLY	70-12838-00			
89	***Air Duct	74-15894-00			
90	***Foam Tape (39.25" Long)	90-08274-00			
91	*LA36 UNIT ASSEMBLY 60 Hz 120V	LA36-CE		AE	
	*LA36 UNIT ASSEMBLY 60 Hz 240V See LA36 IPB Manual	LA36-CF		BF	
	*LA36 UNIT ASSEMBLY 50 Hz 120V	LA36-CH		CG	
	*LA36 UNIT ASSEMBLY 50 Hz 240V	LA36-CJ		DH	
92	*Spanner Wrench	12-13091-00			
93	*866-D POWER CONTROLLER 120V, 24 Amp (added)	866-D	00002	ACEG	See
	*866-E POWER CONTROLLER 240V, 15 Amp (added)	866-E	00002	BDFH	866 IPB
94	*1160M 16 BIT COMPUTER 120V (added) See 1160M IPB	1160M-AA	00004	J	
	*1160M 16 BIT COMPUTER 240V (added)	1160M-AB	00004	K	

FIG. & ITEM NO.	DESCRIPTION	DEC PART NO.	ECO CUT-IN 11S60 0001A	USED ON CODE	REF FIG NO.
1-					
95	*Mount, Cable Tie (added)	90-09911-00	00002		
96	*Screw, Phi Truss Hd No. 10-32 x 5/8 (added)	90-06074-03	00002		
97	*Cable Tie (added)	90-09617-00	00002		
98	*Bracket, Cable Trough (added)	12-13092-01	00002		
99	*Connector, Socket Housing 8 Pin Mate-N-Lok (added)	90-09340-00	00002		
100	*CABLE TRANS FORMER ASSEMBLY (added)	70-15910-00	00003	FHK	
101	**Fuse Holder, 20 A 300V	12-12893-00			
102	**Fuse, Slo-Blo, 5 A 250V	90-07222-00			
103	*LA120-DA DECWRITER III (added) See LA120 IPB Manual	LA120-DA	00004	JK	
104	*Data Cartridge (RK06K) (added)	RK06K-DC	00004		
	Cables (Not Shown)				
	*Cable, Unibus (Jumper)	M9202-00		ABCD	
	*Cable Assembly (KL8-E)	70-08360-01			
	*Cable Assembly (I/O) (3 ft)	70-12292-03			
	*Cable Assembly (I/O) (4 ft)	70-12292-04			
	*Cable Assembly (BC11A) (deleted)	BC11A-06			
	*Cable Assembly (BC11A) (added)	BC11A-08	00002	E - H	
	*Cable Assembly (added)	70-15908-00	00003	E - H	
	*Cord, Null Modem Extension (added)	BC03M-25	00004	JK	
	*Modem Cable (added)	BC05C-25	00004	JK	
	*Cable Assembly (PDP11) (added)	BC11A-02	00004	JK	
	Decals and Labels (Not Shown)				
	*Decal, "Chassis Ground"	36-13272-00			
	*Decal, "UL"	74-16197-01			
	*Decal, "CSA"	36-13211-01			
	*Decal, Patent (PDP11)	74-09478-00			
	*Label, Adhesive Backed, "Electrical Data"	36-13210-00			



11S60-02

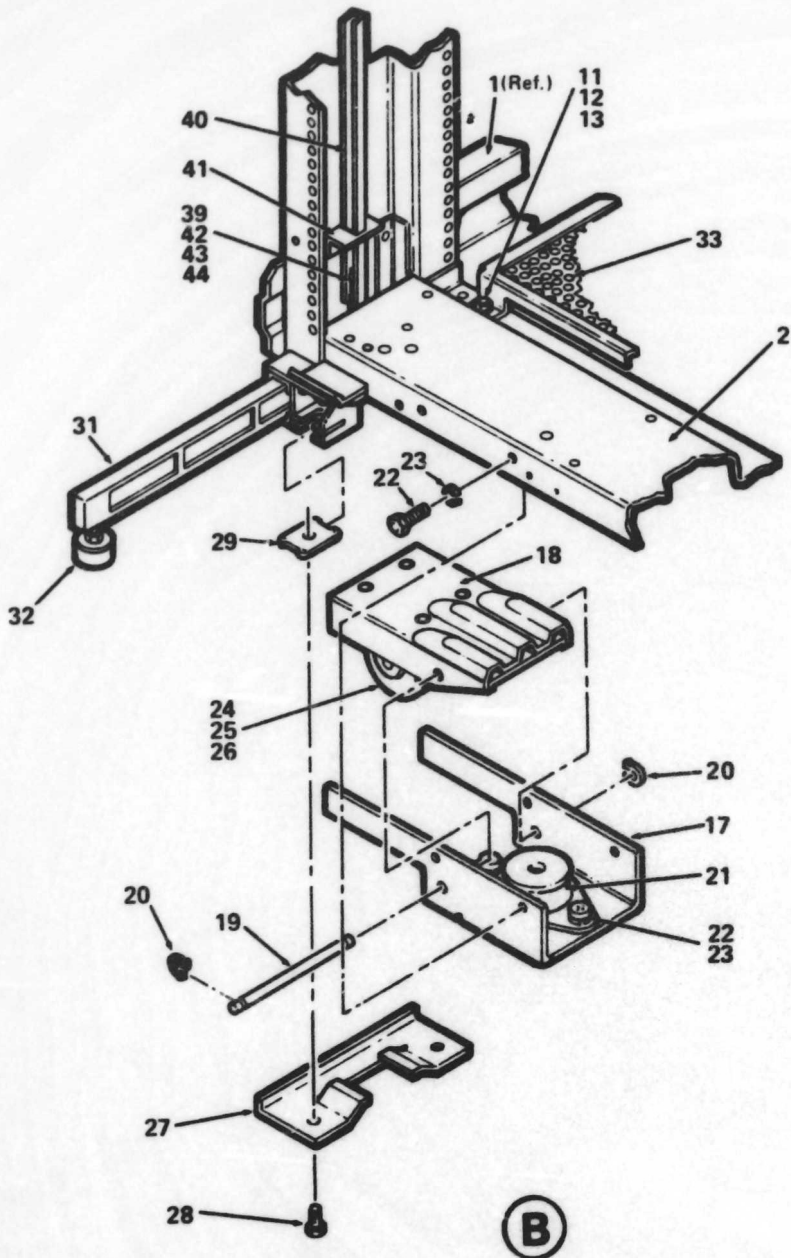
Figure 2. Frame Assembly (Double LoBoy) (Sheet 1 of 3)



(A)

11S60-02A

Figure 2. Frame Assembly (Double LoBoy) (Sheet 2 of 3)

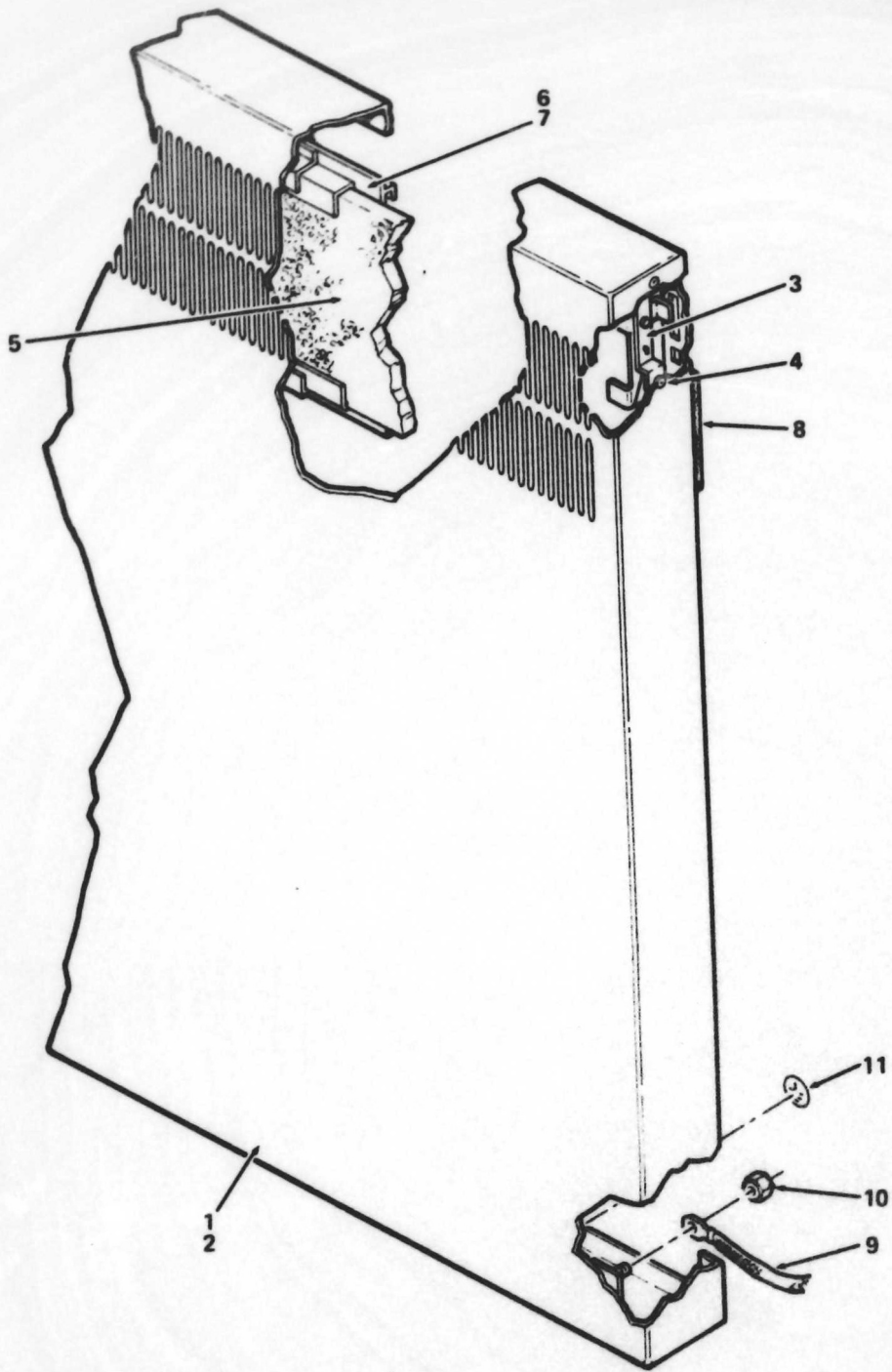


11S60-02B

Figure 2. Frame Assembly (Double LoBoy) (Sheet 3 of 3)

FIG. & ITEM NO.	DESCRIPTION	DEC PART NO.	ECO CUT-IN H9501 00002	USED ON CODE	REF FIG NO.
2-	FRAME ASSEMBLY (Double LoBoy)	70-11587-02			1
1	*Lateral, Bottom	74-13635-00			
2	*Horizontal	74-13644-00			
3	*Lateral, Top	74-13435-01			
4	*Vertical LH	74-18243-00			
5	*Vertical RH	74-18243-01			
6	*Pop Rivet 1/4"	90-09595-00			
7	*Vertical, Center RH	74-16883-00			
8	*Vertical, Center LH	74-16883-01			
9	*Weldment, Hat Section	70-12812-00			
10	*Screw, Phl Truss Hd No. 1/4-20 x 3/4	90-06058-03			
11	*Washer, Flat (.281 ID)	90-07792-00			
12	*Washer, Helical Spring Lock 1/4" (deleted)	90-07797-00	70-11587 00004		
13	*Nut, Hex No. 1/4-20	90-08203-00			
14	*Post, Rear Mounting (Top)	74-17731-00			
15	*Post, Rear Mounting (Bottom)	74-17731-01			
16	*Support, Power Supply Center	74-15637-00			
17	*Bracket, Hanger	74-14090-01			
18	*Arm, Isolator Pivot	70-11294-00			
19	*Pin, Pivot	74-13998-00			
20	*Retaining Ring, External	90-09580-02			
21	*Shock Isolator	12-12503-00			
22	*Screw, Hex Hd Cap No. 3/8-16 x 1 (deleted)	90-08922-09			
	*Screw, Hex Hd Cap No. 3/8-16 x 1/2 (added)	90-00043-10	70-11587 00005		
23	*Washer, Helical Spring Lock (3/8)	90-07788-00			
24	*Caster	12-05835-01			
25	*Screw, Phl Truss Hd No. 5/16-18 x 11/16 (deleted)	90-07781-02			
	*Screw, Phl Truss Hd No. 5/16-18 x 1/2 (added)	90-00040-01	70-11587 00005		
26	*Washer, Int Tooth Lock 5/16 (deleted)	90-06638-00			
	*Washer, Ext Tooth Lock 5/16 (added)	90-10150-00	70-11587 00005		
27	*Bracket, Wheel Lock	74-17593-00			
28	*Screw, Hex Hd No. 1/2-13 x 3/4	90-00043-02			
29	*Nut, Leveler No. 1/2-13	90-08878-00			
30	*Stabilizer Sleeve Assembly	70-11284-00			
31	*Arm, Stabilizer	74-14087-00			
32	*Foot, Leveler Cushion (1/2-13) (deleted)	90-07600-00			
	*Foot, Leveler Cushion (1/2-13) (added)	90-00022-01	70-11587 00004		
33	*Screen Assembly (deleted)	70-11964-00			
	*Screen Assembly (added)	70-17840-00	70-11587 00006		

FIG. & ITEM NO.	DESCRIPTION	DEC PART NO.	ECO CUT-IN H9501 00002	USED ON CODE	REF FIG NO.
2-					
34	*Catch, Panel	74-14841-00			
35	*Bracket, Catch (LH)	74-14839-00			
36	*Bracket, Catch (RH)	74-14839-01			
37	*Insert, Snap-In Threaded	90-09789-01			
38	*Screw, Phi Pan Hd No. 10-32 x 1/2	90-06073-01			
39	*Washer, Helical Spring Lock No. 10	90-07906-00			
40	*Road, Interlock	74-17371-00			
41	*Bracket, Guide	74-16523-00			
42	*Cam, Follower	74-16679-00			
43	*Washer, Flat .437 OD x .218 ID x .062	90-06664-00			
44	*Nut, Hex No. 10-32	90-06564-00			
45	*Post, Distribution Panel Mounting (added)	74-19464-00	H9501 00003		
46	*Spacer, Screen (added)	74-24691-00	70-11587 00006		
	Labels (Not Shown)				
	*Label, "Push" (added)	36-14605-01	70-11587 00003		
	*Label, "Do Not Push" (added)	36-14603-01	70-11587 00003		
	*Label, "High Charge" (added)	36-14604-01	70-11587 00003		



11S60-03

Figure 3. Front Cover Assembly

FIG. & ITEM NO.	DESCRIPTION	DEC PART NO.	ECO CUT-IN H9504-R 00002	USED ON CODE	REF FIG NO.
3-	FRONT COVER ASSEMBLY (Lt. Gray) (added)	H9504-RA	00002	A	1
	FRONT COVER ASSEMBLY (Blue Mullen) (added)	H9504-RB	00002	B	1
	FRONT COVER ASSEMBLY (Blue Mullen w/Silk Screen (added)	H9504-RC	00002	C	1
	FRONT COVER ASSEMBLY (Blue Mullen w/Silk Screen System 48) (added)	H9504-RD	00002	D	1
	FRONT COVER ASSEMBLY (Prefer Red) (added)	H9504-RE	00002	E	1
	FRONT COVER ASSEMBLY (Prefer Red w/Silk Screen)	H9504-RF		F	1
	FRONT COVER ASSEMBLY (Dark Gray) (added)	H9504-RG	00002	G	1
				(See Note)	
1	*FRONT COVER ASSEMBLY (Lt. Gray)	70-12221-00		A	
	*FRONT COVER ASSEMBLY (Blue Mullen)	70-12221-01		B	
	*FRONT COVER ASSEMBLY (Blue Mullen w/Silk Screen)	70-12221-02		C	
	*FRONT COVER ASSEMBLY (Blue Mullen w/Silk Screen System 48)	70-12221-03		D	
	*FRONT COVER ASSEMBLY (Prefer Red)	70-12221-04		E	
	*FRONT COVER ASSEMBLY (Prefer Red w/Silk Screen)	70-12221-05		F	
	*FRONT COVER ASSEMBLY (Dark Gray)	70-12221-06		G	
2	**Front Cover Weldment (Lt. Gray)	70-12222-00		A	
	**Front Cover Weldment (Blue Mullen)	70-12222-02		B	
	**Front Cover Weldment (Blue Mullen w/Silk Screen)	70-12222-04		C	
	**Front Cover Weldment (Blue Mullen w/Silk Screen System 48)	70-12222-06		D	
	**Front Cover Weldment (Prefer Red)	70-12222-08		E	
	**Front Cover Weldment (Prefer Red w/Silk Screen)	70-12222-09		F	
	**Front Cover Weldment (Dark Gray)	70-12222-13		G	
3	**Latch Assembly LH	70-11837-00			
	**Latch Assembly RH	70-11837-01			
4	**Rivet, Blind .187 Dia.	90-09241-00			
5	**Filter, Air	12-13096-03			
6	**Cover, Filter	74-15452-00			
7	**Screw, Sems Slotted Hd No. 10-32 x 3/8	90-06444-00			
8	**Strip, Bumper	74-16140-00			
9	**Ground Strap	74-15578-00			
10	**Nut, Kep No. 1/4-20	90-08203-01			
11	**Label,"Ground"	36-13272-00			
	Note: The Used on Code applies to this figure only.				
					DEC